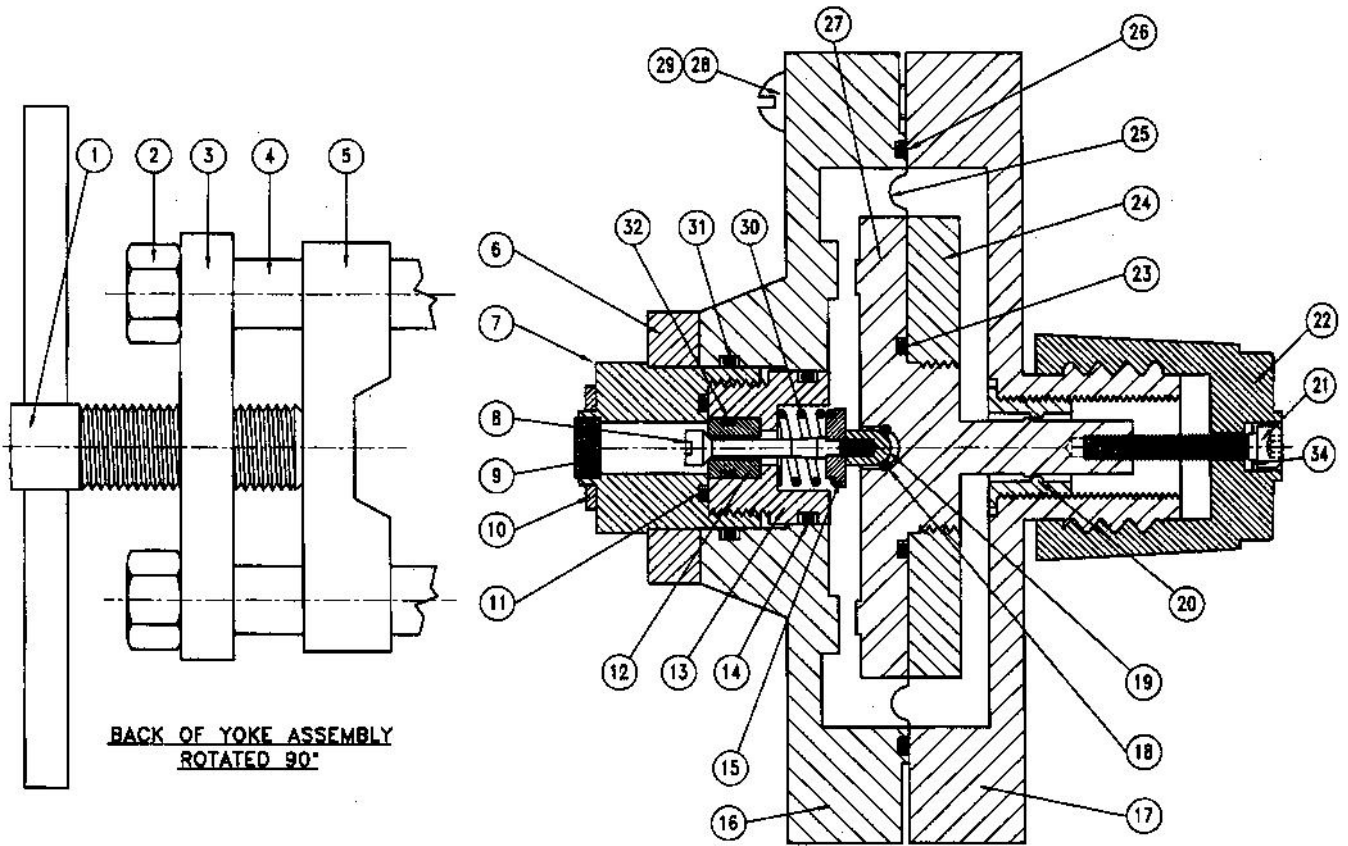


**DRAWING NO. A-816/A-826/A-856**

**Automatic Switchover Chlorinator Parts List - Model 216/226/256**



Ref. No.	Part No.	Quantity	Description
1	Y-260	1	Yoke Screw
2	Z-210	2	Yoke Jam Nut
3	Y-210	1	Yoke Rod Bar
4	Y-220	2	Yoke Stud
5	Y-230	1	Yoke Slide Bar
6	Y-240 ***	1	Yoke Body Bar
7	Y-252 ***	1	Inlet Adapter
-	A-200	1	Yoke Assembly (Ref No 1 thru 7)
-	A-201		See Note 6
8	YV-230	1	Inlet Valve Plug
9	Y-275	1	Filter
10	G-201	1	Lead Gasket
11	S-404	1	Adapter Face Seal
12	YV-210	1	Inlet Valve Seat
13	YV-220	1	Inlet Adapter Plug
14	S-406	1	Adapter O.D. Seal
15	YV-240	1	Spring Guide
16	BA-216 **	1	Back Body

Ref. No.	Part No.	Quantity	Description
17	BA-225	1	Front Body
18	S-401	1	Spacer "O" Ring
19	YV-250	1	Inlet Valve Nut
20	B-237	1	Fixed Poppet Retainer
21	Z-245	1	Reset Screw
22	B-235	1	Reset Knob
23	S-407	1	Diaphragm Plate Seal
24	BA-250	1	Diaphragm Front Plate
25	B-230	1	Diaphragm
26	S-408	1	Diaphragm Body Seal
27	BA-245	1	Diaphragm Back Plate
28	Z-220	4	Body Screw (1 1/2" Lgth.)
29	Z-230	2	Body Screw (2 1/2" Lgth.)
30	YV-260	1	Inlet Spring
31	S-413	1	Back Body Inlet Seal
32	S-402	1	Valve Seat Seal
33	Z-250 *	1	3/8" OD Tube Fitting (Not Shown)
34	Z-247	1	Washer

**NOTES:**

1. Include Chlorinator Serial Number and Capacity on Order.
- \* 2. For A-816 (Model 216) to 100 PPD Use Z-250 (3/8" OD Tube Fitting)
- \* 3. For A-826 (Model 226) at 250 PPD Use ZZ-260 (1/2" OD Tube Fitting)
- \* 4. For A-856 (Model 256) at 500 PPD Use ZZ-271 (5/8" OD Tube Fitting)
- \*\* 5. For A-856 (Model 256) at 500 PPD Use BA-516 Back Body.
- \*\*\* 6. Y-240 and Y-252 only available assembled together = A-201 Assembly.