



MODEL 4010™ TANK SCALE

- Solid - state operation by a NTEP stainless steel temperature compensated strain gauge transducer
- Electronics housed in NEMA 4x, UL approved enclosure to provide protection from acids
- Independent weighing platform with digital liquid crystal display
- Standard readability to 1 lb. (kg), 0.1 lb. (kg)
- High accuracy of $\pm 0.5\%$ of capacity
- Readout in pounds or kilograms
- Rugged steel construction protected by corrosion resistant finish with solid $\frac{1}{2}$ " PVC decking
- Indicator can be locally or remote mounted up to 200 feet (61 meters) away
- Measures weight of chemicals such as fluoride, sodium hypochlorite, sodium hydroxide, sodium bisulfate, polymers, ammonia, phosphate, alum, caustic, sodium aluminate or other liquids
- Self-locking knob for adjusting tare weight
- Output 4-20 mA signal for permanent recording or transmitting
- The $4\frac{1}{2}$ digit indicator also has 0-20mA and -8 to + 12 mA outputs standard. All three outputs are selectable as scale powered or loop powered
- Standard low level contact closures on $4\frac{1}{2}$ digit indicator
- Model 1099™ Chemical Process Controller as optional indicator to create the Total Electronic SystemSM

The Model 4010™ Tank Scale is designed specifically for permanently mounting a tank or drum and then pumping a liquid in and out.

This tank scale combines solid-state operation with a highly functional design. The platform has sturdy three point suspension and is built ruggedly for use in harsh environments. The scale base is made of corrosion resistant dry powder polyester plastic coated steel. A $\frac{1}{2}$ " thick PVC deck on top of a steel frame provides added protection from corrosion.

Various standard capacities are available, from 1000 to 5000 lbs. Custom capacities are also available. For operation, the scale employs a NTEP stainless steel temperature compensated strain gauge transducer. It offers high accuracy of $\pm 0.5\%$ of capacity.

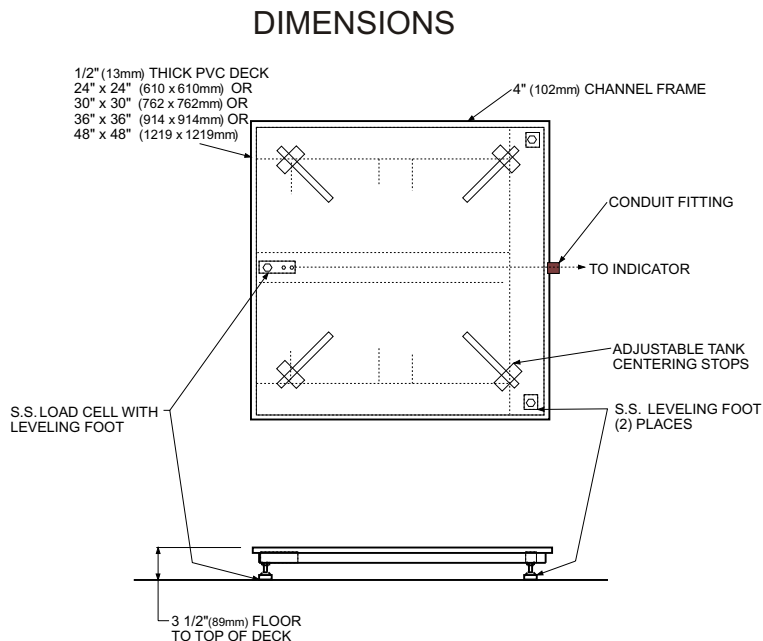


Three indicators are available for this scale; all are mounted in NEMA 4x, UL approved enclosures. The standard indicator is a $3\frac{1}{2}$ digit liquid crystal display, LCD, with 4-20mA output. This display can read up to 199.9 lbs. or kgs. When substance to be weighed is between 200 and 1000 lbs., this indicator is calibrated to display in 1 lb. (or kg.) increments. The optional indicator with $4\frac{1}{2}$ digit LED display can display 5000 lbs. by 1 lb. (or kg.) increments. It has both active and passive 4-20 mA outputs and there are two adjustable low level set points. The Model 1099™ Chemical Process Controller is also available on this base, which allows the user to combine different bases to create a customized Total Electronic SystemSM. Please contact the factory for literature on the Model 1099™ Chemical Process Controller.

All of our indicators can be calibrated in pounds or kilograms.

MODEL 4010™ GENERAL SPECIFICATIONS

INDICATOR:	3-1/2 Digit	4-1/2 Digit	Model 1099™C.P.C.
POWER:	120 VAC, 50/60 Hz, 0.3 A 240 VAC, 50/60 Hz, .15 A		85 VAC to 265 VAC
PLATFORM HEIGHT:	3 1/2 inch high (88.8 mm)		
ACCURACY:	0.5% of full capacity		0.1% to 0.25% full scale
GROSS CAPACITY:	Up to 5000 lbs. (2275 kg.) standard - <i>Custom capacities available</i> (150% overload protection is provided)		
RESOLUTION:	.1 up to 199.9 1.0 over 200	.1 up to 999.9 1.0 over 1000	.1 up to 999.9 1.0 over 1000
4-20 mA:	Standard	Standard	Standard on Channel 1 (available option for Channels 2 through 4)
LEVEL INDICATING/ RELAY CONTACTS:	Optional	(2) Standard	Optional - Up to 4 (as High, Low, or Control) On one channel, or more than one per channel for a total of 4 set points with relay contact
ENCLOSURE:	NEMA 4x, UL Approved enclosure		
SHIPPING WT:	24" x 24" = 130 lbs. 30" x 30" = 150 lbs. 36" x 36" = 160 lbs. 48" x 48" = 240 lbs.		
PLATFORM SIZE:	24" x 24", 30" x 30", 36" x 36" and 48" x 48" (standard sizes) <i>Other sizes by request</i>		



STANDARD EQUIPMENT

- Scale platform
- Electronic indicator in NEMA 4x, UL approved enclosure
- NTEP stainless steel temperature compensated strain gauge transducer
- Self-locking tare adjustment knob
- 4-20 mA output
- 20 ft. of 4 conductor wire cable

OPTIONS

- 240 VAC power
- 4 1/2 digit display with active and passive 4-20 mA, 0-20 mA and -8 to +12 mA, and 2 adjustable low level relay contacts
- Additional length of 4 conductor wire cable
- Model 1099™ Chemical Process Controller

TYPICAL SPECIFICATIONS

The Tank Scale must have rugged steel frame and shall be dry powder polyester plastic coated. The decking shall be solid, 1/2 inch thick PVC. All hardware shall be stainless steel. The height shall not exceed 3.5 inches so as not to require a pit or ramp. A stainless steel leveling foot shall be supplied with NTEP approved stainless steel shear beam cell. There must be adjustable tank restraints in base.

Scale shall be a Model 4010™ as manufactured by Scaleton Industries Ltd., Plumsteadville, PA.

5 year FULL warranty on ALL products.

Design improvements may be made without notice.