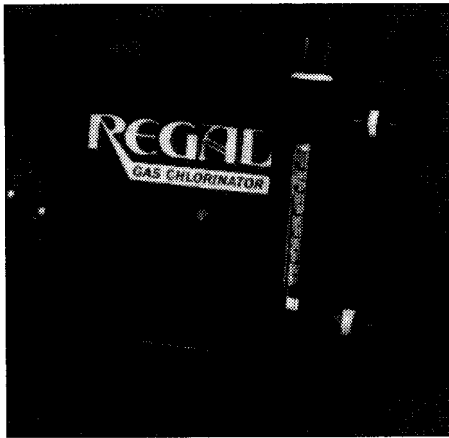


REGAL GAS CHLORINATOR

The REGAL Model 220 Chlorinator is a vacuum-operated, solution feed type, designed for mounting directly on a chlorine cylinder valve by means of a positive heavy duty yoke clamp. The chlorine flow rate is manually adjusted and is regulated by a spring opposed diaphragm regulator which also contains the safety shut-off valve. Vacuum is provided by a highly efficient water operated ejector which is close coupled with the chlorine solution diffuser. The ejector assembly contains a back flow check valve.



FEATURES

The REGAL Model 220 incorporates the very best available materials with the latest technology in design and construction, to reduce maintenance, simplify construction, and improve operation.

APPLICATION

The Model 220 is designed to handle the vast majority of water treatment requirements.

CAPACITIES

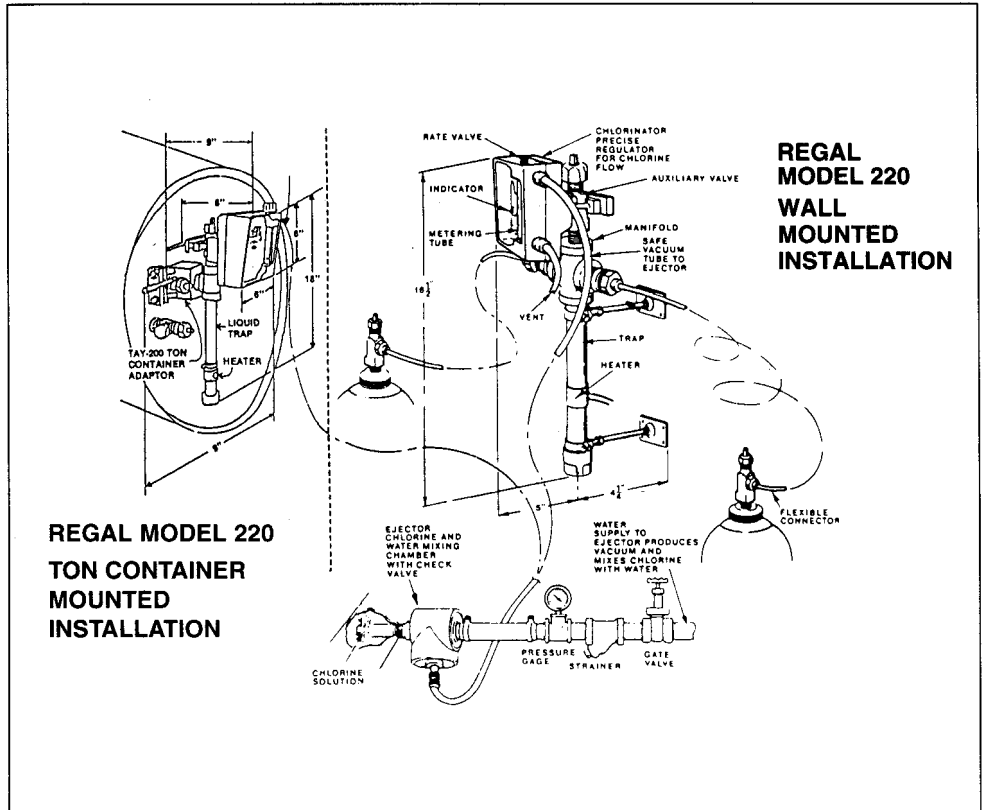
Dual scale metering tube with maximum capacities up to 250 pounds per 24 hrs. of chlorine gas with corresponding metric scale of 5000 grams per hour or 5 kg/hr. Minimum feed rate is 1/20th of maximum.

FLOW RATE ADJUSTMENT

Manually adjustable by means of a flow rate control valve located at the top of the flow meter. Flow rate is then regulated by a special spring-opposed diaphragm operated valve. The system is automatic. It will go off and on as the ejector water is turned off and on and will always return to the pre-set flow rate.

EJECTOR REQUIREMENTS

The standard ejector is designed to withstand static back pressures in excess of 200 psig (14.1 kg/cm²). However, due to the potential for "water hammer" in high pressure on-off systems and special booster pump considerations, it is recommended that a factory representative, or Chlorinators Incorporated be consulted regarding installation details on systems over 100 psig (7 kg/cm²).



The amount of water required to operate the ejector depends upon the chlorine feed rate, water back pressure and water supply pressure available. Generally, the higher the chlorine flow and higher back pressure the greater the water flow is needed.

OPERATION

The chlorinator is clamped on the chlorine cylinder valve. The ejector assembly is normally attached to the solution diffuser at the point of injection (it may be wall mounted, but this is not recommended). A vacuum line connects these two units.

Water, under pressure is forced through the ejector nozzle which creates a strong vacuum in the ejector body. This pulls gas into the ejector through a special back-flow check valve and then into the nozzle outlet. The gas mixes with the ejector water and is discharged through the diffuser into the water being treated.

The ejector vacuum is transmitted back to the chlorinator through the vacuum line; then through the rate valve and the flow meter and to the back of the diaphragm. With sufficient vacuum, the diaphragm moves backward, opening the spring loaded inlet regulating valve to allow chlorine to enter from the cylinder.

The chlorine passes through the flow rate indicating meter, flow rate adjusting valve and to the ejector.

SPECIFICATIONS

The chlorinator shall be a REGAL Model 220

manufactured by Chlorinators Incorporated, Stuart, Florida, with a maximum capacity of 250 lbs./24 hrs (5000 gms/hr). It will be a vacuum operated solution feed type and mount directly on the chlorine cylinder valve by means of a positive yoke type clamp having an integral tightening screw with slide-bar handle.

All regulating, metering, flow adjusting and safety functions shall be incorporated in the cylinder mounted unit.

The inlet safety shut-off/vacuum regulating valve shall be of capsulated construction, easily removable as a unit from the outlet side of the yoke for ease of inspection, cleaning or maintenance.

Vacuum shall be created by an ejector assembly connected directly to the chlorine solution diffuser. The assembly shall consist of a single piece venturi-recovery throat to prevent misalignment; also, a back flow check valve to prevent water from entering the gas system. The check valve shall be of positive, tight shut-off, unitized design not requiring springs or diaphragms on high back pressure systems.

SERVICE

Most service problems can be handled by the user, with no special tools. If that is not possible, or desirable, the chlorinator and ejector assembly can be shipped to the factory for overhaul and retest to like-new condition for a reasonable single service charge. If the unit cannot be taken out of service, we will send an "exchange" unit.

The REGAL Model 226 Automatic Switchover Gas Chlorinator is a totally vacuum-operated system which is designed to automatically switch the chlorine feed from an empty cylinder to a full cylinder. It is also designed to provide system-backup. Should a problem develop with either vacuum regulator, chlorination can be continued. The chlorinators are of the vacuum-operated solution-feed type, designed for mounting directly on a chlorine cylinder valve. The switchovers are self-actuating, eliminating the need for a separate switchover module. A separate gas flow meter and rate control valve panel may be located wherever it is most convenient for the operator and connected between the vacuum regulator junction at the pressure relief (vent) valve, and the ejector, by means of safe vacuum tubing. The ejector assembly contains a back flow check valve. Chlorine gas flow rate is regulated by a spring-opposed diaphragm regulator which is also the automatic safety shut-off valve. Should vacuum be interrupted for any reason anywhere in the system the safety shut-off/inlet valve immediately closes, shutting off the chlorine supply from the cylinder. A pressure relief valve designed to "vent" the system also provides a central inter-connection point for the vacuum tubing.

OTHER IMPORTANT FEATURES

- System Back-up — Each cylinder's chlorinator has its own vacuum regulating diaphragm and safety/inlet valve insuring that chlorination can be continued if service should be required on either chlorinator.
- Corrosion-resistant, Factory-adjusted Detent Mechanism — Detent does not require any field adjustment assuring that cylinder switchover will occur at the proper time, and that all available gas in supply cylinder will be used.
- In-Use/Stand-by Indication — Prominent indicator on face quickly tells which is the stand-by cylinder and which cylinder is in use. Optional flowmeter panels are available for applications where the feed rate must be known at the chlorinator and the flow meter/rate valve panel cannot be seen.

CAPACITIES

Dual scale metering tube with maximum capacity of 250 pounds per 24 hrs. of chlorine gas with corresponding metric scales of 5000 grams per hr. or 5kg/hr.

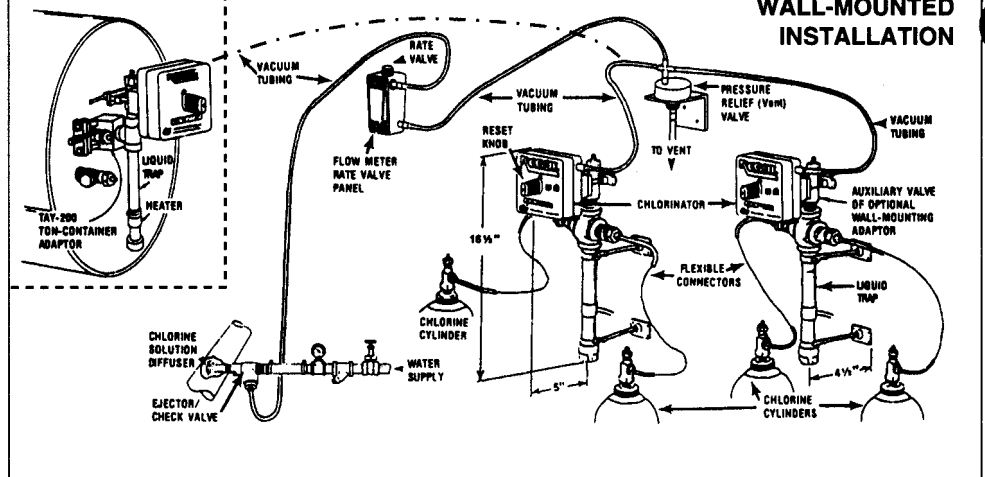
FLOW RATE ADJUSTMENT

Manually adjustable by means of a flow rate control valve located at the top of the flow meter. Flow rate is then regulated by a special spring-opposed diaphragm operated valve. The system is automatic. It will go off and on as the ejector water is turned off and on and will always return to the pre-set flow rate.

MATERIALS OF CONSTRUCTION

All materials used in REGAL gas chlorinators have been carefully chosen for their excellent corrosion-resistant, ultra-violet-resistant properties plus their ability to withstand stresses far

TON CONTAINER MOUNTED INSTALLATION WITH MODEL TAY-200 ADAPTOR



greater than will be encountered in actual use.

OPERATION

The chlorinators are clamped onto the chlorine cylinder valves. The ejector assembly is normally attached to the solution diffuser at the point of injection. A vacuum line is connected from each cylinder unit to the wall-mounted, pressure-relief (vent) valve, and a single vacuum line connects the outlet of the connector to a wall-mounted, flow-meter/rate valve panel. The ejector is connected to the rate valve panel with a single vacuum line.

Water, under pressure, is forced through the ejector nozzle which creates a strong vacuum in the ejector body. This pulls gas into the ejector through a special back-flow check valve and then into the nozzle outlet. The gas mixes with the ejector water and is discharged through the diffuser into the water being treated. The ejector vacuum is transmitted through the vacuum line to the rate valve and the flow meter; then through the connector on the pressure-relief (vent) valve and on to the back of the operating chlorinator diaphragm. With sufficient vacuum, the diaphragm moves backward, opening the spring-loaded inlet regulating valve to allow chlorine to enter from the cylinder. The chlorine passes through the chlorinator, the pressure-relief (vent) valve connector and the flow rate indicating meter/flow rate adjusting valve to the ejector.

When the operating cylinder starts to run out, the vacuum starts to build up in the system causing the diaphragm of the chlorinator on "stand-by" to be drawn back, overcoming a detent mechanism and opening the safety/inlet valve. This allows chlorine gas to be withdrawn from the "stand-by" cylinder to satisfy the increased system vacuum and the vacuum falls back to the operating level.

The original supply cylinder also continues to feed until it is empty, virtually assuring that there will be no interruption of chlorination and that full use will be made of all available chlorine.

This also reduces the possibility and risk of returning cylinders with some remaining gas to the supplier.

SPECIFICATIONS

The chlorinator system shall be a vacuum-operated, solution-feed type and shall automatically switch the chlorine supply from an empty cylinder to a full cylinder. It shall be REGAL Model 226 manufactured by Chlorinators Incorporated, Stuart, Florida, and shall have a maximum capacity of 250 lbs./24 hrs (5000 gms or 5kg/hr).

The Model 226 Vacuum-Operated Automatic Switchover Chlorinator shall consist of the following components: Two (2) automatic switchover vacuum regulators for mounting directly on chlorine gas cylinder valves, one (1) pressure-relief (vent) valve, one (1) chlorine gas flow meter panel with rate valve, & one (1) ejector/check valve assembly.

The vacuum regulators shall mount directly onto the cylinder valve by means of a positive yoke type clamp having an integral tightening screw with slide bar handle. The main vacuum-regulating diaphragm of each chlorinator shall have a minimum operating area of 13 sq. inches in order to achieve required accuracy and repeatability of the set chlorine flow rate. All metallic bolts shall mate with metallic threaded nuts or inserts. Plastic mating threads for metallic bolts shall not be acceptable.

Each chlorinator vacuum regulator shall have its own diaphragm, safety-shutoff/inlet valve and switchover detent mechanism, thereby, allowing chlorination to continue should it become necessary to remove either vacuum regulator from service for cleaning or servicing. Switchover detent mechanism shall be made of corrosion-resistant materials and shall not require any field adjustment.

SEE CONTENTS GUIDE 220 OR 226 FOR STANDARD ACCESSORIES AND SHIPPING WEIGHTS.

 chlorinators incorporated

CHLORINATORS INCORPORATED • 1044 S.E. Dixie CutOff Road, Stuart, Florida 34994 U.S.A. • Tel: 772-288-4854 • FAX: 772-287-3238

©1999 Chlorinators, Inc. Printed in USA

www.regalchlorinators.com • E-mail: chlorinc@aol.com

Pub. No. 1102-1